





Certificate Code  
SA-COC-007608  
Only product with  
FM reference are  
FSC certified

The mark of  
responsible forestry



EN 14351-1:2006+A2:2016

**We are at Your service  
in all questions!**

Valge VN OÜ  
Välgita | 70202 Viljandi (Emland)

Tel: +372 502 2983  
E-mail: info@valgevn.ee  
Web: [www.valgevn.ee](http://www.valgevn.ee)

The colours of the products may be varied  
by technical reasons.

We give us the right to make changes.

© Valge VN 2023 All rights reserved.

Making copies of the material is forbidden.

**VALGE VN BEFORE  
AND NOW**

OÜ Valge VN was established in 1997 as a sawmill close  
to Viljandi town.

The company started the business with processing of  
wood raw material and has by making regular invest-  
ments moved step by step closer to production of fin-  
ished products.

First products were furniture components to furniture in-  
dustries and about last 10 years there has been produc-  
tion of internal and external door frames, thresholds and  
hardwood moldings.

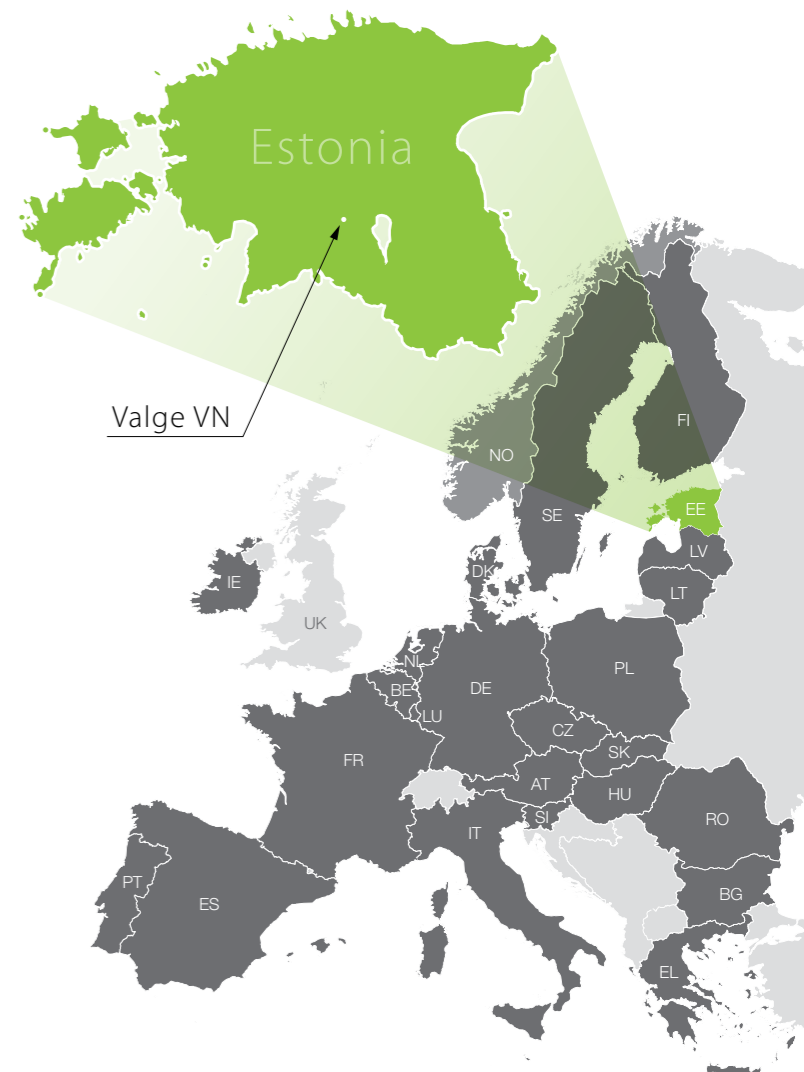
Latest bigger investment was made in the beginning of  
year 2016 for balcony and external door  
production facility.

Our customers are Scandinavian door and window pro-  
ducers, wholesalers of building materials and construc-  
tion companies.

There are about 65 employees in Valge VN and turnover  
in 2021 was 6mln €.

**WE WANT TO...**

We are following and fulfilling the requirements of modern  
and safe working environment in all of our factory , that  
includes CE-marked door products and FSC certified  
material use in production.







## WIDE RANGE, RIGHT MATERIALS

We have made investments every year for improving the effectiveness of the production and for making it more automatic and therefore being able to hold the production capacity, high quality and environment friendly products.

All our products are produced by using modern wood processing technology and in the most complicated operations we use robots, that are operated by our qualified workers.

Success is achieved by satisfied customers and we try to reach that by serving our customers fast and reliably.

We are reliable partner, who holds the promises to customers and we guarantee the information flow in all circumstances that might come up during production process.

The quality of our products is controlled and monitored according to CE-standard and market standard by our own employees and by external experts (CE/FSC).

## IMPROVED TECHNOLOGY AND REGULAR SERVICE

The quality of all our wooden products is depending of the right choice of the raw material.

Our product range is varied, but our long-term knowledge and experience in material sourcing helps us to make right choice and therefore guarantee our customers the products they need.

Our strong knowledge in raw material and multi-sided production technology helps us to produce high quality products according to our customers needs. We try to keep the components as close to production as possible and also avoid subcontractors. That allows us to control our products in critical parts and hold our delivery security in best way.



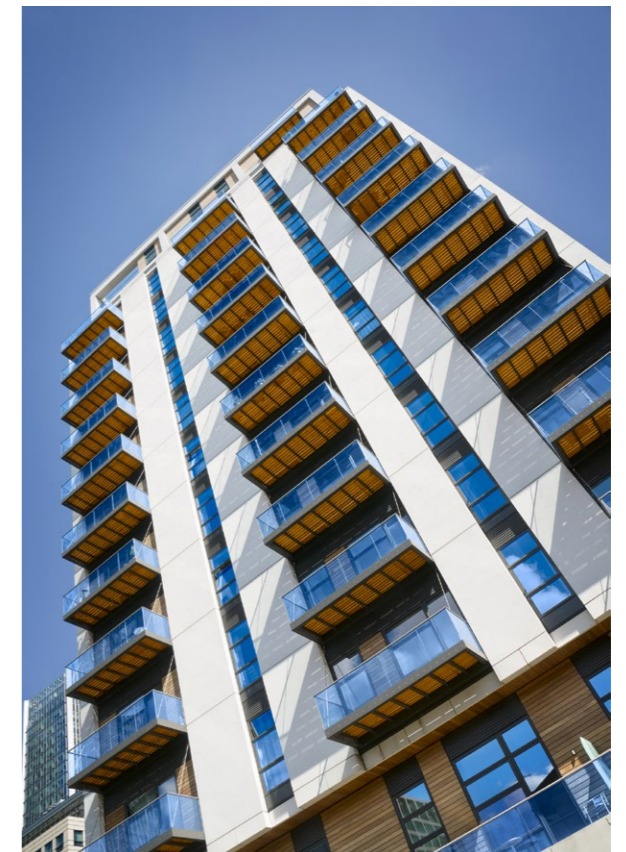




## THE QUALITY OF COMPONENTS

We are producing lot of components from different wood species to our own production and to our customers. External doors, thresholds, frames, moldings and window sills from MDF.

Processed and top coated according to our customers orders.



## EXTERIOR DOORS FOR EVERY NEED

Our exterior door products and range are designed to meet modern requirements in both private and public locations and in new buildings and renovation business.

Our doors combine well with the detached houses exterior and for their technical characteristics, they suit also with terraced houses and apartment buildings.

Also looking good in public places, like schools and kindergartens.

Our experience with operating with private builders, construction companies and other types of customers helps us understand the needs of each customer group and act successfully in terms of product quality, security of supply and delivery times.

Our external door products are delivered weekly to our main markets in Finland, Sweden and Norway and with our partner network, we are also able to help with, for example, the installation of products when needed.





## THE BUSINESS CARD OF YOUR HOME – VALGE VN EXTERNAL DOOR

Valge VN external doors are created to please the eye and meanwhile making no compromises on technical features. Our energy-efficient doors are with strong construction and meet all the requirements of today's building industry. Therefore we give warranty to our doors 2 year structural guarantee and 10 years guarantee against permanent bending of door leaf. For the glazed doors is provided a 5 year guarantee against the condensation inside glass unit.

## REGULAR STRUCTURE – INDIVIDUAL OUTLOOK

We have given names to our entrance door series according to their style.

Modern, functional, classic and natural give the clear outlook and clarity about the product. Besides these, we can offer wide selection of doors for utility rooms, technical rooms and balcony area. All these doors are available in standard construction, where thickness of the door leaf is 62mm and U value is  $<1,0$ .

The more energy efficient (passive) door thickness is 82mm, with U value  $<0,8$ .

All our doors are made from double glue laminated door rims and aluminum plate that ensures the stiffness of the door leaf and gives the door stability in every occasion. Heat isolation and density. Of the door comes from double layers of isolation material. The surface treatment of the doors and frames is done in 2-3 layers, using environment friendly and weather resistant products.

3-layer isolated glass ensures the heat isolation in glazed doors. Also there is a possibility to regulate the interior by using glasses with sun protection, soundproof or decorative glass with lower transparency. In standard, there is oak threshold with aluminum profile. The security of our doors is ensured by using well known locking systems like Abloy, Assa and Dorma. There are 4 pcs burglary-safe hinges on our doors. Our selection of doors can be modified according to individual needs, where we can meet the customer in dimensions, colors and design.

Intelligent electrical locking systems can be offered as well. If you need more advanced and individual solutions to Your door, we are happy to help You already in project phase.





MODERN



M101 MODERN



M102 MODERN



M103 MODERN



M104 MODERN



M105 MODERN



M106 MODERN



M122 MODERN



M123 MODERN



M131 MODERN



M132 MODERN



MF107 MODERN



M121 MODERN

FUNCTION



F201 FUNCTION



F202 FUNCTION



F203 FUNCTION



F204 FUNCTION



FUNCTION



F205 FUNCTION



F206 FUNCTION



F207 FUNCTION



F208 FUNCTION



F209 FUNCTION



F221 FUNCTION



F222 FUNCTION



F223 FUNCTION



F231 FUNCTION



F232 FUNCTION

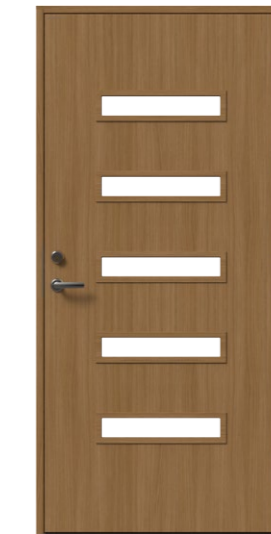
NATURAL



N401 NATURAL



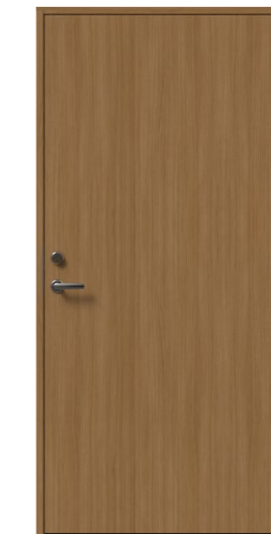
N403 NATURAL



N404 NATURAL



N405 NATURAL



N421 NATURAL

CLASSIC



C301 CLASSIC



C302 CLASSIC



C307 CLASSIC



C308 CLASSIC



C303 CLASSIC



C304 CLASSIC



C321 CLASSIC



C322 CLASSIC



C305 CLASSIC



C306 CLASSIC



C323 CLASSIC



C332 CLASSIC

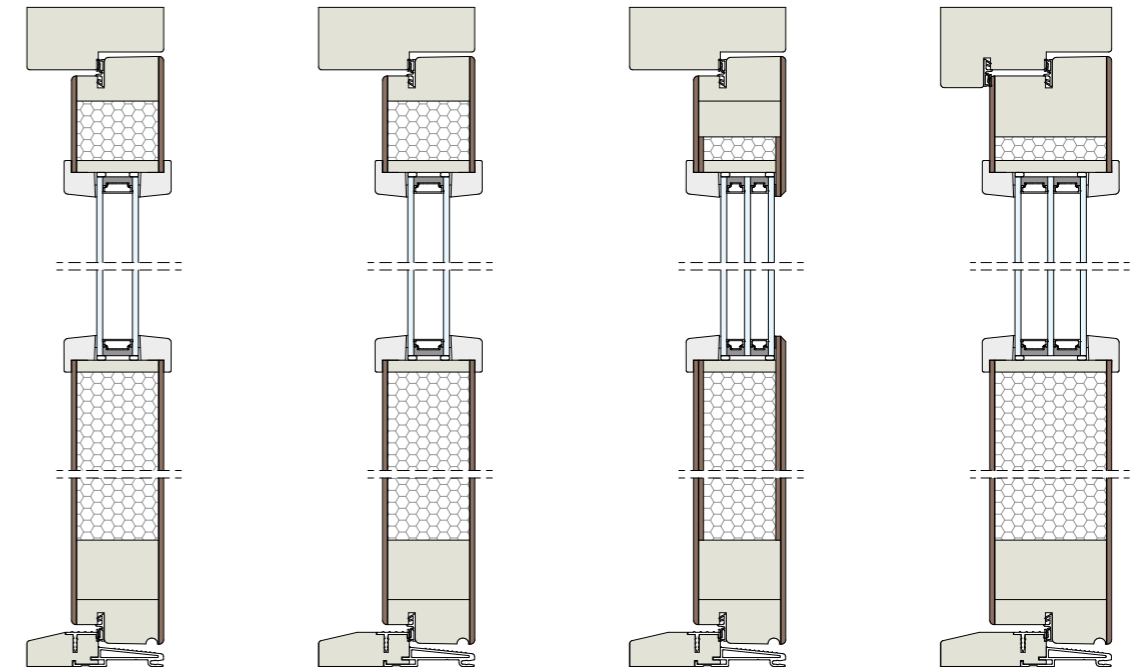
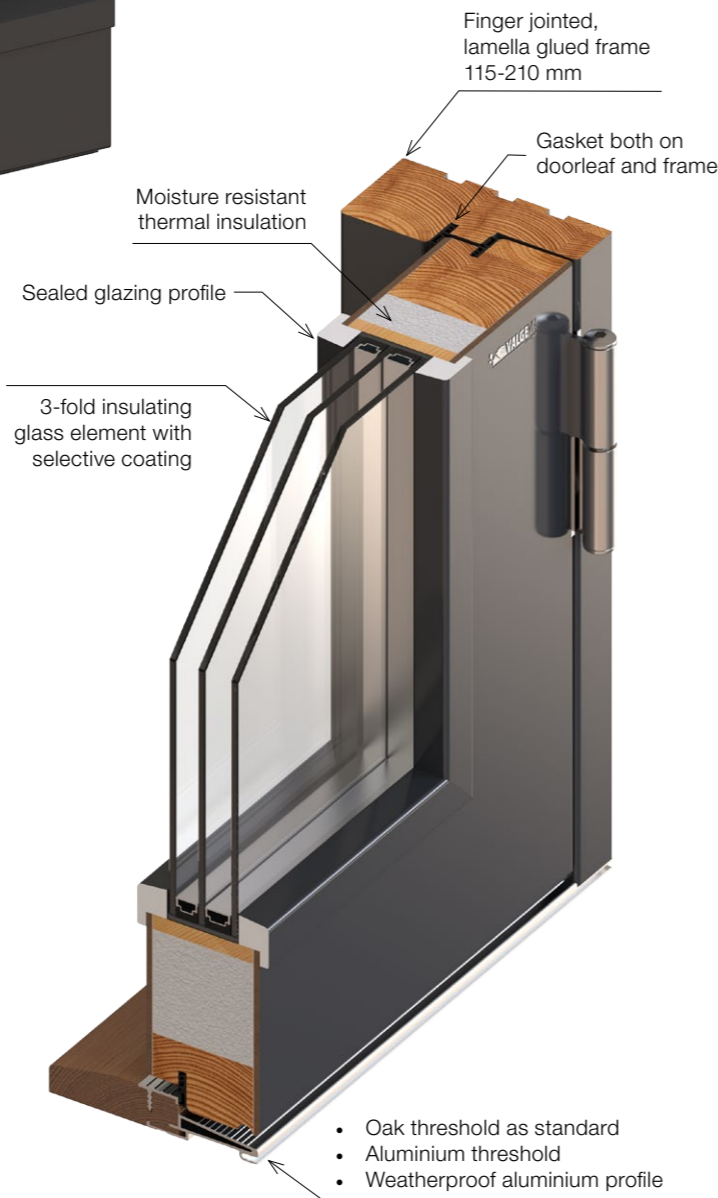
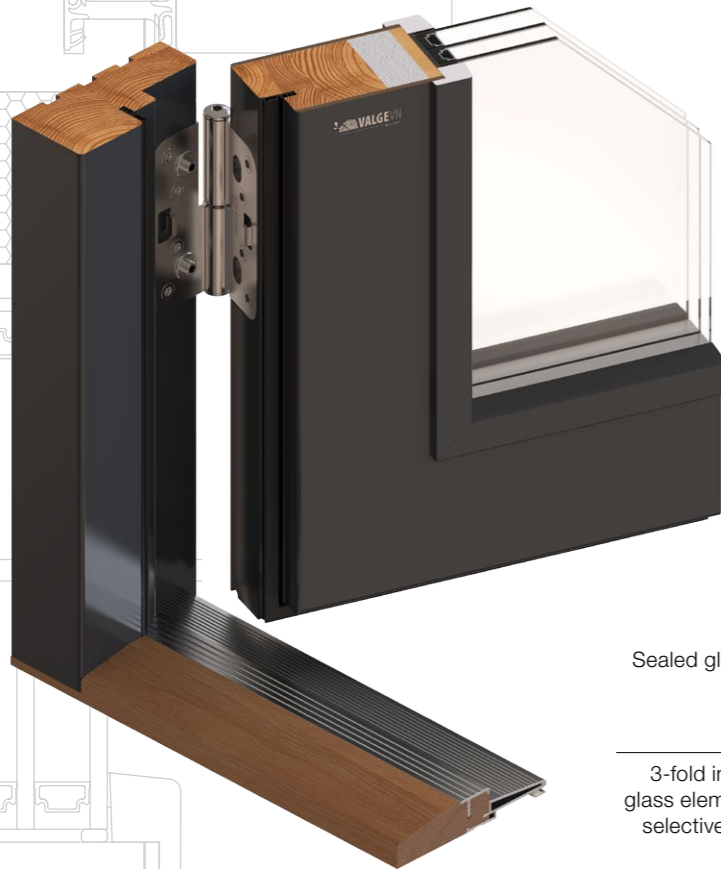




# GUARANTEED DURABILITY

All our exterior door products are CE approved and tested according to EU standards.

Below is a description of the standard structures and performance values of our doors.



EntD62 Standard      EntD62 Premium      Fu62 (Funkis)      EntD82

## TECHNICAL SPECIFICATIONS OF THE EXTERIOR DOORS:

CONSTRUCTION ENT62	
1-leaf, HDF Plate Exterior Door	
U-value	<1,0W/m²K
Water tightness	Class 2A
Air permeability	Class 4
Wind pressure resistance	Class C4
Sound insulation	Rw 34-36dB; Rw+Ctr 29-30dB

CONSTRUCTION ENT82	
1-leaf, HDF Plate Exterior Door	
U-value	<0,8W/m²K
Water tightness	Class 7A
Air permeability	Class 4
Wind pressure resistance	Class C4
Sound insulation	Rw 34-36dB; Rw+Ctr 29-30dB

ENTD62 STANDARD STRUCTURE	
Thickness of doorleaf	62 mm
Door colour	NCS S 0502-Y as standard
Frame depths	92mm, 105mm
Glazing	Double insulated glass with 1 selective coating; crepi and clear as standard
Locking	Lock case Assa 8765 + adjustable striker plate as standard
Handle/cylinder	Not included as standard; available for request
Hinges	Adjustable, burglary protected lift hinges; 3 pcs per doorleaf
Frame material	3 side clear, finger jointed painted pine frame
Threshold	Lacquered oak with aluminium re-inforcements; height 23mm
Sealing	Gasket on doorleaf; sealing on glazing
Insulation	EPS200 55 mm

ENTD82 STANDARD STRUCTURE	
Thickness of doorleaf	82 mm
Door colour	NCS S 0502-Y as standard
Frame depths	115mm as standard (2-step frame)
Glazing	Triple insulated glass with 2 selective coatings; crepi and clear as standard
Locking	Assa 2002 + adjustable striker plate as standard
Handle/cylinder	Not included as standard; available for request
Hinges	Adjustable, burglary protected lift hinges; 4 pcs per doorleaf
Frame material	3 side clear, finger jointed + laminated, painted pine frame
Threshold	Lacquered oak with aluminium re-inforcements; height 35mm
Sealing	Gasket on both doorleaf and frame; sealing on glazing
Insulation	EPS200 75 mm



## YOUR SELECTION

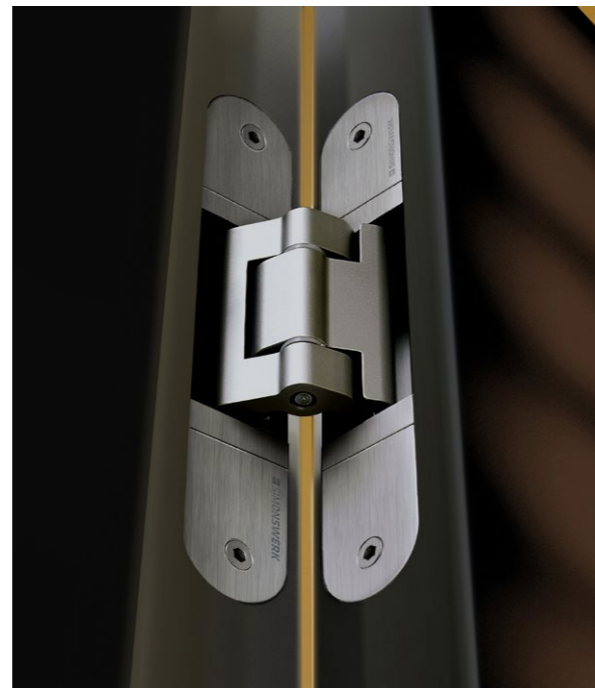


When willing to have more individual solutions, our sortiment transforms into them.

Below described most typical special accessories and features.

### AVAILABLE ON REQUEST

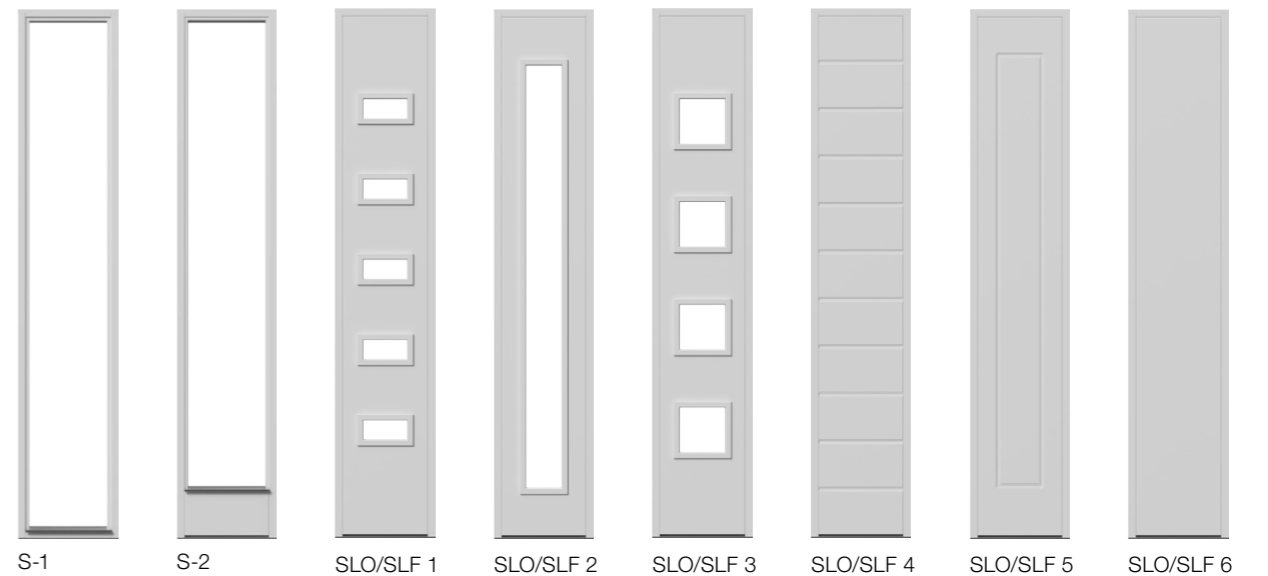
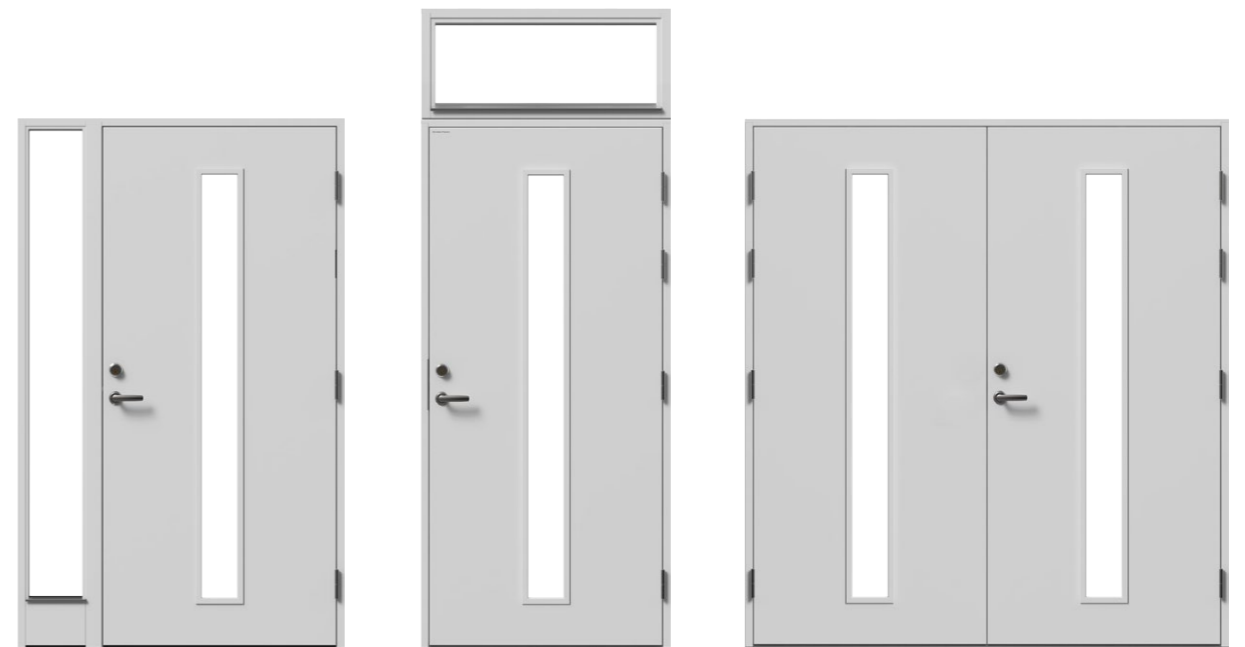
Door size	special sizes available
Door color	NCS S-special tones available; 2-colour painting available
Glazing	ornamental glass satin/cotswold available; safety glass available
Blinds	wire operated blind available in colours white and silver
Accessories available on request	<ul style="list-style-type: none"> <li>• Key cylinder Assa/Dorma</li> <li>• Handle</li> <li>• Friction brake</li> <li>• Additional safety lock Assa</li> <li>• Electrical locking</li> <li>• Yale Doorman</li> <li>• Handle operated, lockable espagnolette</li> <li>• Dooreye assembled</li> <li>• Doorbell assembled</li> <li>• Mailbox assembled</li> <li>• Kickplate Rst or aluminium</li> <li>• Burglary plate assembled</li> <li>• Ventilation grill assembled</li> </ul>



## DOUBLE DOORS, SIDEPARTS, TOP WINDOWS

Most of our door models are available also as a pair door.

Similarly, most models are possible to combine with a suitable side part with matching design or top window to bring visibility and light.







## CERTIFIED QUALITY

All Valge VN OÜ products are manufactured from high-quality raw materials and our production is guided by quality standards in accordance with EU standards.

EN 14351-1:2006+A1:2016



The mark of responsible forestry

Certificate Code  
SA-COC-007608  
Only product with  
FM reference are  
FSC certified



EN 14351-1:2006+A2:2016

**We are at Your service  
in all questions!**

Valge VN OÜ  
Välgita | 70202 Viljandi (Estland)

Tel: +372 502 2983  
E-mail: [info@valgevn.ee](mailto:info@valgevn.ee)  
Web: [www.valgevn.ee](http://www.valgevn.ee)

